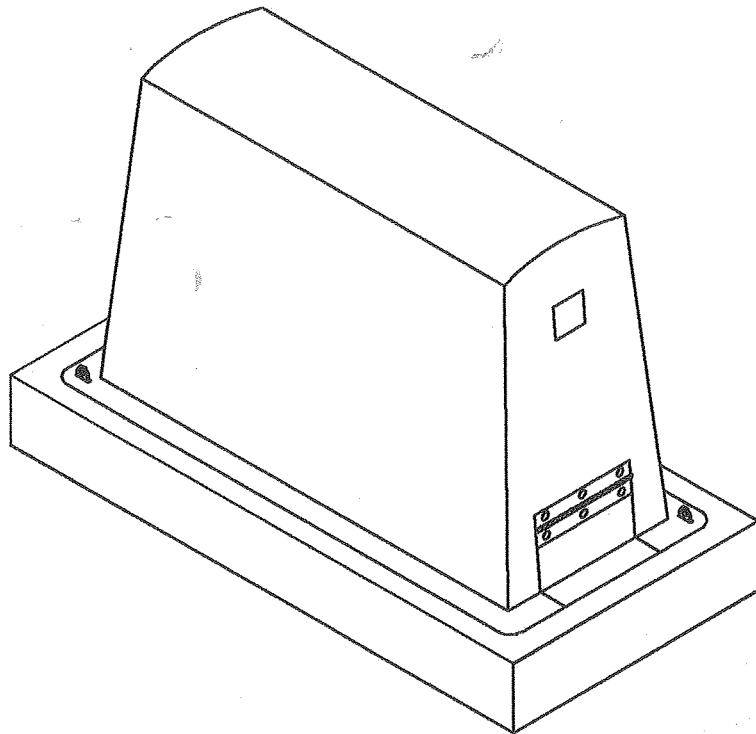


Piedmont Well Covers Inc. Backflow Enclosures

ENCLOSURE
MODEL 1530
MODEL 1550



Engineered to fit 1/4" through 2"
Backflow Prevention Device
Installations



SPECIFICATIONS:

PWCI enclosures are to be used to help protect Backflow Prevention Devices from freezing conditions and vandalism. Construction will include 20-mil orthothalic polyester gelcoat with ultra-violet inhibitors. The gelcoat shell is backed with 1/4" chop-strand polyresin bonded fiberglass. Enclosures are to be internally lined using a minimum 1-1/2" of polyurethane spray-foam or sheet insulation achieving a minimum R-factor of 8. Enclosures are engineered to withstand severe environmental conditions including 75 mph winds and loads of 100 lbs per square foot. An internally mounted UL listed thermostatically controlled or self-regulating heater option is available when additional freeze protection to -30F is required. Enclosures are factory assembled, one piece construction and engineered to facilitate a quality consistent installation.

Product Listing

	Enclosure 1530	Enclosure 1550
Internal Dimensions (inches)	27 long by 10 wide by 19 tall	38 long by 15 wide by 26 tall
Flange Dimensions (inches)	33.5 long by 16.5 wide	45 long by 20 wide
Drain Dimensions (inches)	6 by 7.5	6 by 9.5
Backflow Preventer Sizes (inches)	0.25 to 1.0	1.5 to 2.0

PIEDMONT WELL COVERS, INC.
1135 MAZEPPA ROAD
MOUNT ULLA, NC 28125
800-627-8413
704-664-6791 FAX